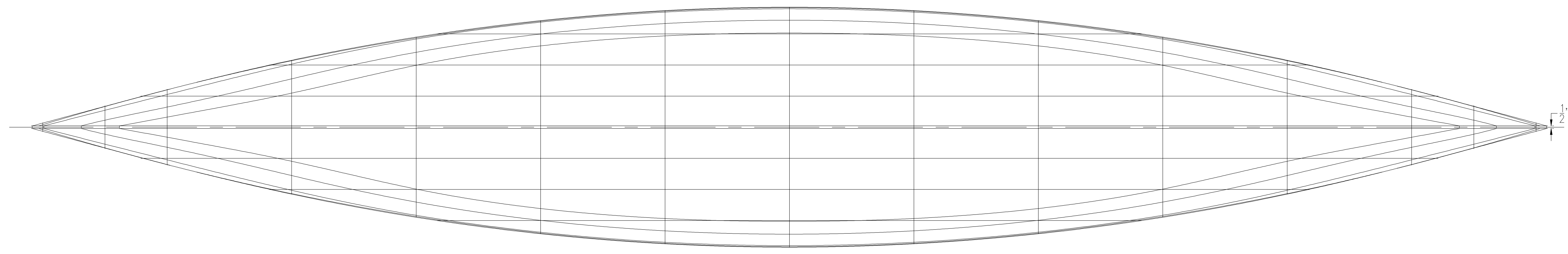


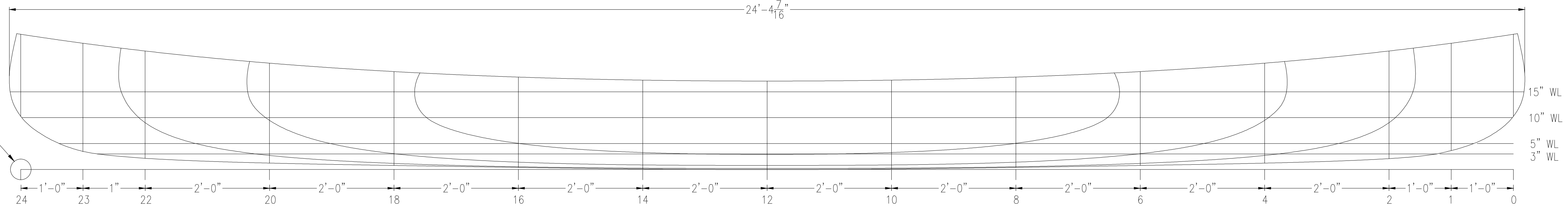
8 7 6 5 4 3 2 1



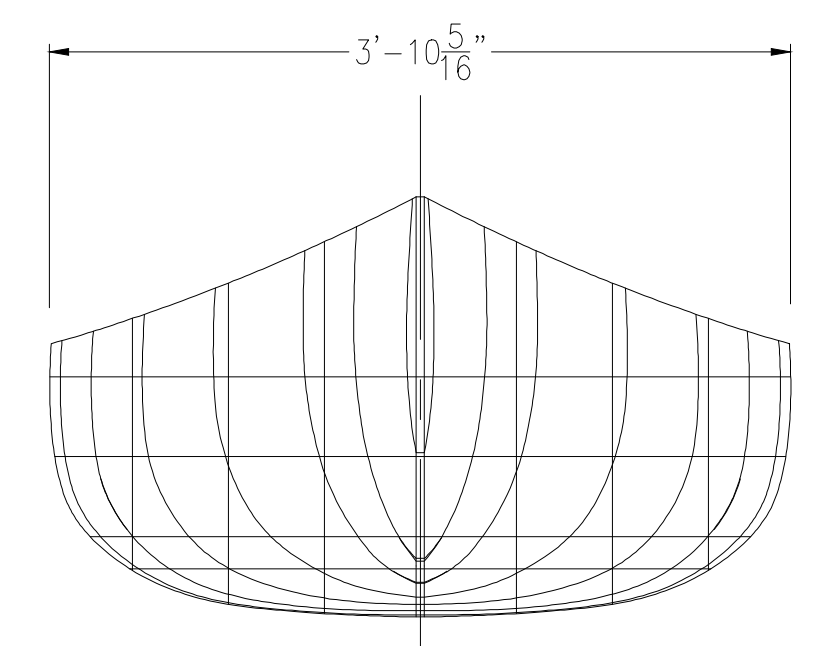
PLAN

VESSEL PARTICULARS

LOA	24' 4.5"
BOA	46.25"
DISPLACEMENT 3" WL	411 LBS.
DISPLACEMENT 5" WL	893 LBS.
WETTED SURFACE @ 3" WL	42.5 FT ²
WETTED SURFACE @ 5" WL	54.6 FT ²
TOTAL HULL SURFACE AREA	118 FT ²



PROFILE



BODY

ORIGIN IN MODEL AND WEIGHT ESTIMATE

GENERAL NOTES:

1. LINES TO OUTSIDE OF PLANKING.
2. HYDROSTATICS IN FRESH WATER.

REFERENCE DRAWINGS / DOCUMENTS

1. WILDERNESS INQUIRY CANOE 4-16-2018.3DM MODEL
2. WILDERNESS INQUIRY CANOE WEIGHT ESTIMATE.XLSX

REVISIONS					
REV	ZONE	DESCRIPTION	BY	DATE	
1		ORIGINAL ISSUE	ACS	4-18-2018	

TABLE OF CONTENTS					
SHEET	TITLE	DWG NO:			
1	LINES PLAN	CMD-WI24CAN-001			

PROPRIETARY DESIGN SHALL NOT BE USED FOR CONSTRUCTION OR SUBMITTED TO OUTSIDE PARTIES WITHOUT THE EXPRESS WRITTEN CONSENT OF: COASTWISE MARINE DESIGN INC. © 2018		THIRD ANGLE PROJECTION UNLESS OTHERWISE SPECIFIED DIMENSIONS IN INCHES TOLERANCES ON: DECIMALS ±0.5 ANGLES ±0.5 DEG .X ±0.05 ±0.05 .XX ±0.005 ±0.005	COASTWISE MARINE DESIGN 1461 GRIFFITH PT. RD. NORDLAND, WA 98358 USA 360-301-6400
PROJECT :	WILDERNESS INQUIRY 24' CANOE	CLIENT :	WILDERNESS INQUIRY
TITLE :	LINES PLAN	DWG No :	CMD-WI24CAN-001
Drawn By:	AS	Checked By:	AS
Date:	4-18-2018	Rev:	1
Scale:	1" = 1'	Size:	D
Sheet:	1 of 1		

8 7 6 5 4 3 2 1